

K9 Heat Alarm™ Owners Manual

HA-1520

Your K9 Heat Alarm™ is a state of the art product designed and developed by ACEK9.COM™ a division of Radiotronics, Inc. It is a unique blend of positive features taken from years of actual field use of our previous products and the incorporation of a microprocessor control system. The following are a few of the new features:

Temperature Sensor with extended 15 feet cables – allows Temperature Sensor to be placed in the most effective locations

Full Alphanumeric LCD Display – Comprehensive status reports with Temperatures and battery voltage displayed.

Non-Volatile Memory – Temperature Alarm and other settings are maintained even if power is lost. No internal battery required.

Vehicle's Battery Voltage Monitor – Displays Voltage & sets off alarm before Vehicle Battery or charging system fails.

Temperature Sensors Monitor – Sets off Alarm if Temperature Sensors is damaged.

Software Upgradeable – As new features are developed, System can be easily updated.

Module Design – Add new options as needs change

Horn Activation is included and Optional Alert Accessories are:

Dual Window Drop – Fan Kit – Remote Beeper

K9 Heat Alarm Power Up: If the unit is wired to a “Battery Hot” point, the handler will have to manually turn the unit ON & OFF by use of the MENU/POWER button. Momentarily pressing the MENU/POWER button will turn on the unit. To turn OFF the unit, hold the MENU/POWER button down until the system powers down. The unit may be controlled directly if its power wire is connected to ignition or external switch source. During power up the display will show information such as model number, serial number, and the Alarm Temperature Threshold Setting. Normal operational mode will commence by continuously displaying the Sensor temperature and the vehicle's battery voltage. The display brightness can be adjusted to a comfortable level by tapping the SELECT/TEST button.

Alarm Temperature Threshold Programming: To adjust the Temperature Threshold Setting press and hold the MENU/POWER button until you hear a steady tone. When you release the button the display will show “Menu Mode”. Next the temperature threshold will be displayed. Tapping the SELECT/TEST button will change this value. When you have the desired setting, wait a moment and the new Alarm Temperature Threshold Setting will be saved and the K9 Heat Alarm™ will restart and return to the operational mode. NOTE: The Alarm Temperature Threshold Setting is stored in Non-volatile Memory and is retained even if the power is lost.

Testing the Heat Alarm: The handler is responsible for daily checks of the K9 Heat Alarm™ and all installed options. To fully test the system, adjust the vehicle's climate control to heat and raise the interior temperature to above alarm threshold and confirm proper temperature display and alarm activation. Pressing and holding the SELECT/TEST button will perform an alternate method of testing the systems. The display will show “Test Mode Alarm Activated” and flash, the internal warning tone is heard, and all installed Full Alert Alarm Options are activated. Release the SELECT/TEST button and the K9 Heat Alarm™ will return to normal operational mode.

Over Temperature Alarm: When a temperature above the Temperature Threshold Setting is sensed by the Temperature Sensor, the K9 Heat Alarm™ goes into the Pre-Alert Mode. The display will show “Pre-Alert Mode” and the sensor temperature, the display will flash and the internal warning tone is activated. The Pre-Alert Mode will continue for 30 seconds to allow the K9 handler, if present, to turn off the K9 Heat Alarm™. If the K9 Heat Alarm™ is not turned off, the display will show “FULL ALERT ALARM” and all installed options will be activated. The K9 Heat Alarm™ will continue the Full Alert Alarm Mode until the temperature in the vehicle drops below the Alarm Temperature Threshold Setting or until the unit is turned off. When the alarm condition is no longer present the unit resets automatically. The display will show a “NOTE” to advise the K9 handler that an Over Temperature Event has occurred. To clear the “NOTE,” tap the SELECT/TEST button while it is displayed or cycle the power OFF/ON.

Other Features:

Temperature Sensor Diagnostics: The Temperature Sensor is continuously monitored. The display will show an error if the Sensor or cable is damaged. In the event the Temperature Sensor is not functioning the alarm will activate.

Vehicle Battery Monitor: The vehicle's battery is monitored and the voltage is displayed. If the voltage falls below 11 volts a warning will be displayed and an audible tone will be heard. If the voltage remains low all the Full Alert Alarm Options are activated for 10 seconds to alert the handler, and if the option is installed drop the rear windows. The K9 Heat Alarm™ will then reset and continue this cycle every minute until the unit is turned OFF or the vehicle's battery is discharged. This feature enables the most efficient use of a weak or failing vehicle battery.

Acek9.com Two (2) Year Limited Warranty. For details visit <http://www.acek9.com/Warranty>

AceK9.com by Radiotronics, Inc. 1556 Cypress Drive, Jupiter, FL 33469 561-746-0935 www.AceK9.com

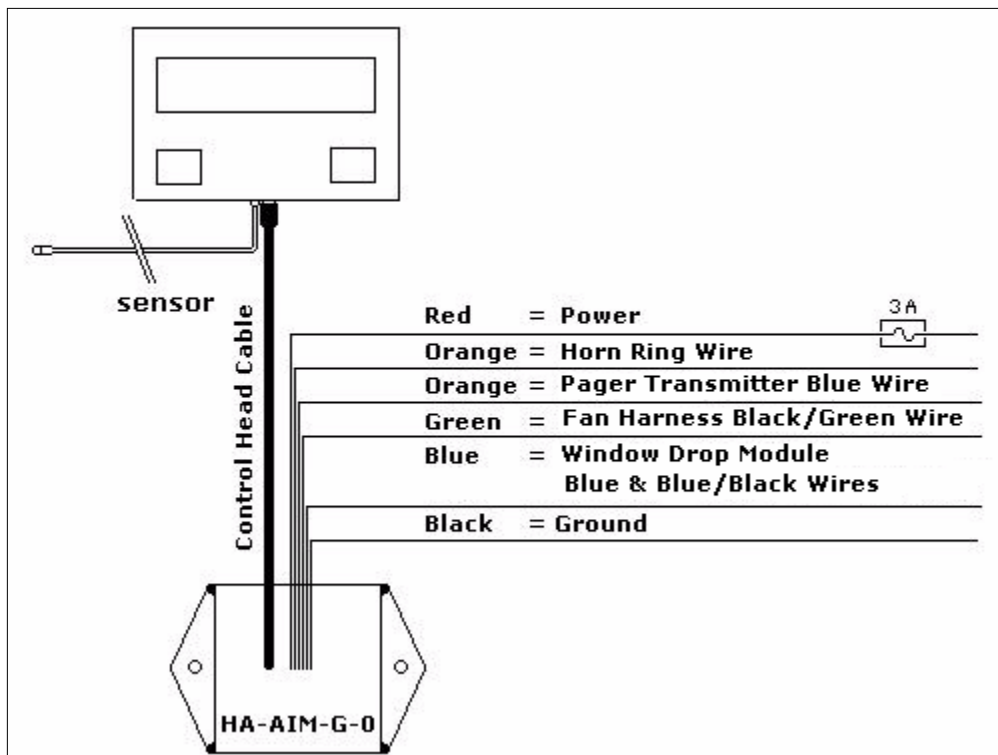
File: HA-1510_OM_A_10_09_doc.pdf

All rights reserved, Radiotronics Inc

**K9 Heat Alarm® HA-1520
Installation
Manual**



DO NOT PLACE ANY CABLES, MODULES, CONNECTIONS OR THE ALERT MODULES IN WET LOCATIONS. NEVER PLACE UNDER THE CARPET. This area is subject to excessive heat and moisture that may cause the unit to malfunction and will shorten the life of electronic components.
! Do not mount equipment to Air conditioner housings or ducts.
! Use care when drilling holes or installing screws to avoid damaging wiring, fuel lines, or other equipment.



Control Head Mounting: Determine with the K9 Handler a suitable location for the K9 Heat Alarm® to be mounted. The Head should be easily visible to the K9 handler. The mounting bracket can be flipped to allow the unit to be mounted from above or below. Mount securely in location that does not interfere with airbags, and vehicle operation.

Temperature Sensor Mounting (H-TS22)

Never place sensor where it can be damaged by the K9, behind trim, in direct sunlight, directly in front of Air vent, near equipment that radiates heat, or within 8 inches of headliner.

Sensor location may vary with vehicle setup and operation, The Temperature Sensor cable is 15 feet long so they can be adjusted to the most effective location.

Mount Temperature Sensor in front of the K9 Transporter, in good airflow , Be sure to avoid Door tracks or hinges that could damage the sensor. **Not** directly in front of Air vent.

Plug sensor into either side sensor jack (center Jack is for the cable from interface module)

Installing Interface module (HA-AIM-G0)

Fuse Power at 3A

Plug control head cable into center connector of head
The Heat alarm power can be connected to ignition or uninterrupted Battery power.

Consult with the Agency and/or K9 handler on this set up!!.

When Connecting to ignition power the heat alarm will power down when the ignition is turned off. This requires the handler to leave the vehicle running with the air conditioner ON to maintain a safe environment for the canine, however if the environment allows for the canine to be left in the vehicle with the ignition off, The power must be wired to Battery and the handler will have to turn ON and Off using Power/Menu Key.

Connecting options and Alert features

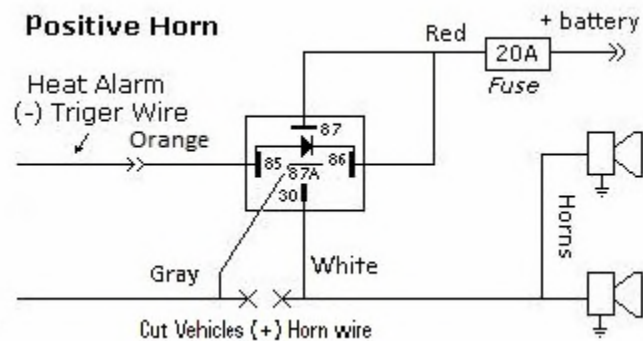
All Outputs are negative signal with internal over current protection of 300mA. Test all alert features prior to connecting. Mount in dry location.

Horn Alert Feature (see chart at end of manual)

Horn ring connection, -

Connect an orange wire from your interface Module to the vehicles horn ring wire. The horn ring wires on most vehicles are ground triggered. The wire will show battery power till the horn pad is pressed.

Alternative Configuration for Connection to Horn +



If a negative triggered horn ring is not available, connect a user supplied diode protected, SPDT Relay to change the power to positive. See diagram. Connect directly in line with the horn(s) hot power wire. Connect an orange trigger wire to activate the relay.

(Pre configured horn activation modules are available from the on line store at Acek9.com)

Optional Window Drop Module HA-WDM-A

See instruction included with window drop module
Window drop trigger wires = Blue Heat Alarm Wire
Black Ground = Connect to a good ground
Red Power = Red Wire to uninterrupted Battery Power.

Optional Fan Activation HA-FKT-X

Green Black from fan activation module = to the Heat alarms Green wire.
Black Ground = Connect to a good ground
Red Power = Red Wire W/15A fuse to uninterrupted Battery Power.

Optional Pager Module HA-RBM-I

See pager instructions

Test Procedure for K9 Heat Alarm®, HA-1520

Turn ON the Heat Alarm and the unit should power up. Observe the Feature Settings during power up.
Then observe the Temperatures and Vehicle’s Battery Voltage.

Press the Select/test key to activate all the installed Heat Alarm Alert options.
Verify that ALL the installed Heat Alarm Alert’s and modules functioned.

Options Check List

<input type="checkbox"/>	Horn Sounds SOS
<input type="checkbox"/>	Pager Activates
<input type="checkbox"/>	Fan turns on
<input type="checkbox"/>	Windows Drops

Temperature Sensor Test

Turn the Vehicle’s Climate Control to the Heat position to manually raise the temperature inside the vehicle. Monitor the temperature displayed on the heat alarm and confirm that the alarm activates when the Hot Set Point is reached. Return the Vehicles Climate Control to the Cool position.

Visually inspect the wiring and electronic components and confirm that the location of the Temperature Sensor is just outside the K9 container in good airflow and not in direct sunlight.

Be Sure that end user receives a copy of the owners manual
Additional Owner Manuals can be downloaded from www.AceK9.com/manuals

Horn Wire

Year	Make*	Model*	Wire color	Location	Notes
2000-12	Ford	Crown Victoria	Dark Blue or Yellow/light green	Steering column Harness	
1997-06	Ford	Expedition	Dark Blue or Yellow/light green	Steering column Harness	
2007-13	Ford	Expedition	Yellow/ Red	Steering column Harness	
1997-08	Ford	F150	Dark Blue	Steering column Harness	
2009-13	Ford	F150	Yellow/ Red	Steering column Harness	
2002-05	Ford	Explorer	Dark Blue or Yellow/light green	Steering column Harness	
2006-10	Ford	Explorer	Blue/White	Steering column Harness	
2012-13	Ford	Interceptor Sedan	Blue/White		
2011-13	Ford	Explorer	Violet/Green	Steering column Harness	
2012-13	Chevy	Caprice PPV	Brown/Black	Steering column Harness	
2001-05	Chevy	Impala	Black	Steering column Harness	
2006-13	Chevy	Impala	Tan	Steering column Harness	
2000-06	Chevy	Suburban, Silverado	Black	Steering column Harness	
2000-02	Chevy	Jimmy, Blazer	Black	Steering column Harness	
2000-06	Chevy	Tahoe, Yukon	Black	Steering column Harness	
2003-07	Chevy	Trail Blazer	Black	Steering column Harness	
2007-13	Chevy	Tahoe, Yukon	Tan	Police Package blunt cut	
2007-13	Chevy	Suburban, Silverado	Tan	Police Package blunt cut	
2002-04	Dodge	Intrepid	Black/Red	Steering column Harness	
2005-10	Dodge	Magnum, Charger	Dark Green/Orange	Under Hood (Relay Required)	See Below
2011-13	Dodge	Magnum, Charger	Gray/Light Blue	Under Hood (Relay Required)	See Below
2003-09	Dodge	Durango, Dakota	Dark Green/Violet	Steering column Harness	
1991-1996	Jeep	Cherokee	Black	Steering column Harness	
1997-2001	Jeep	Cherokee	Black/Red	Steering column Harness	

* Radiotronics Inc, Acek9.com claims no responsibility for currency or accuracy of the vehicle information provided, Vehicles models, and options may vary. Consult the vehicle manufacturer's service manuals and/or modifiers guides for information.

All Rights Reserved, Radiotronics Inc. 2002-2013©
 Vehicle makes and models are trademarks of the manufacture*